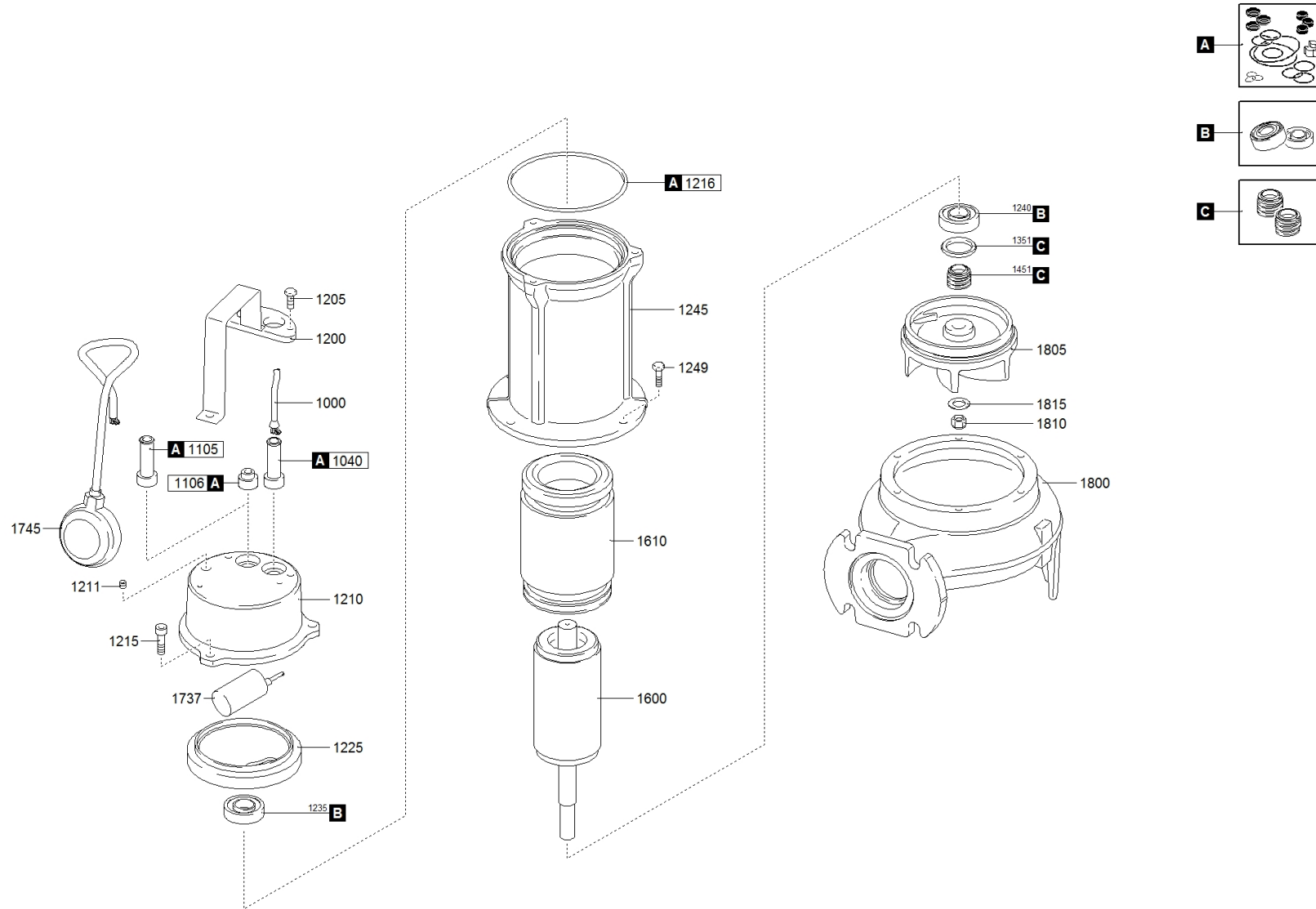


1125.012 - DGE 75/2/G50H A1BM5 NGTCQ21U23N00WH





water solutions



1125.012 - DGE 75/2/G50H A1BM5 NGTCQ21U23N00WH

		Code	Description		Q.ty	Price (€)
A		601039001	GASKETS KIT	805503	1	
C		602002011	MECHANICAL SEALS KIT	805504	1	
B		604002231	BEARINGS KIT	805505	1	
1000		250102304010200000	POWER CABLE		1	
1040		235672106900	RUBBER GASKET [POWER CABLE]	711413	1	
1105		235672106900	RUBBER GASKET [FLOAT SWITCH]	711413	1	
1106		235672106650	CAP [FLOAT SWITCH]	711505	1	
1200		235330411020	HANDLE		1	
1205		270830610123200000	SCREW [HANDLE >> COVER]	802092	2	
1210		232110110530	COVER		1	
1211		270139510104000000	CAP [TIGHTNESS TEST]	802099	1	
1215		270830610143200000	SCREW [COVER >> MOTOR CASE]	806113	3	
1216		271770098035000000	GASKET [COVER >> MOTOR CASE]		1	
1225		230650100069	UPPER BEARING HOLDER		1	
1235		2729062010200000	UPPER BEARING	711365	1	
1240		2729062010200000	LOWER BEARING	711365	1	
1245		231010110550	MOTOR CASE		1	
1249		270830510161200000	SCREW [MOTOR CASE >> PUMP BODY]		4	
1351		237970120240700000	LOWER LIP SEAL [LOWER BEARING]	711359	1	
1451		230000010120000000	1st MECHANICAL SEAL	711373	1	
1600		230230011411250	SHAFT WITH ROTOR		1	
1610		230801141001000000	WOUND STATOR	711334	1	
1650		2790300422785	DATAPLATE		1	
1655		273130000000	RIVET [DATAPLATE]	802085	2	
1737		25170120000000	CAPACITOR	710985	1	
1800		21251410820124402	PUMP BODY		1	
1805		21411400720611590	IMPELLER	711358	1	
1810		27073101902100000	LOCKING IMPELLER		1	
1815		270530808202000000	LOCKING WASHER [IMPELLER]		1	

